

BISMARCK MUNICIPAL BALLPARK - NETTING

MUNICIPAL BALLPARK
303 W. FRONT AVE., BISMARCK 58504



Architecture Engineering
Interior Design Industrial
TELE 701.258.3116 FAX 701.223.7983
116 W. Main Ave., Suite A Bismarck, ND 58501
www.eapc.net

CONSULTANTS

CLIENT
BISMARCK PARKS &
REC

PROJECT DESCRIPTION
MUNICIPAL BALLPARK
3RD BASE NETTING

CITY BISMARCK
STATE ND

ISSUE DATES

CD	CONSTRUCTION DOCUMENTS	6-1-2026
MARK	DESCRIPTION	DATE

PROJECT NO: 20263290
DRAWN BY: MS
CHECKED BY: BD

COPYRIGHT:
All plans, specifications, computer files, field data, notes and other documents and instruments prepared by EAPC, EAPC shall retain all common law, statutory and other reserved rights, including the copyright therein.

STAMP

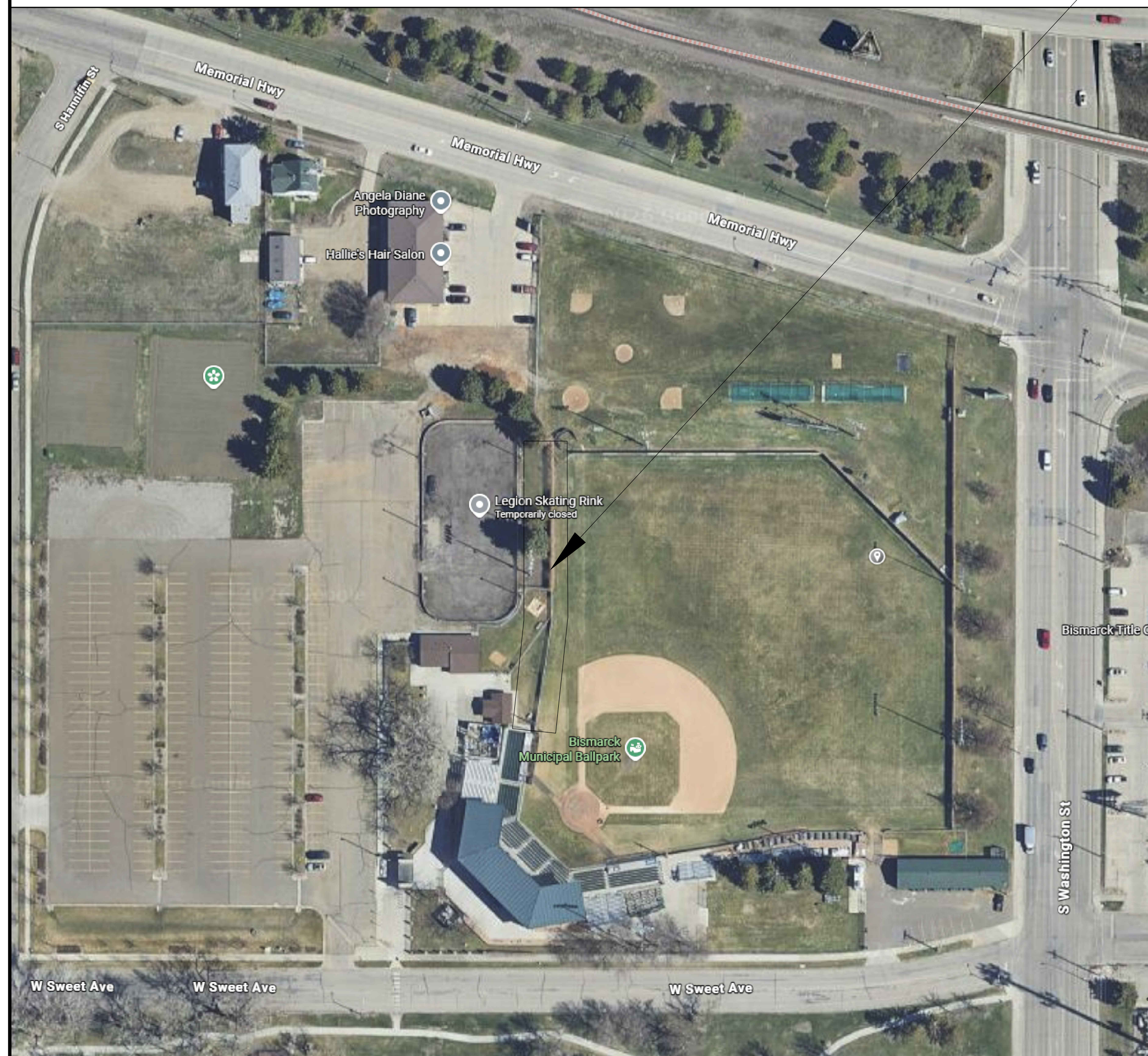
DRAWING TITLE
COVER SHEET

G101

GENERAL
G001 COVER SHEET

ARCHITECTURAL
A100 DEMO SITEPLAN
A101 NEW SITEPLAN
A102 SECTION AND DETAILS

PROJECT LOCATION



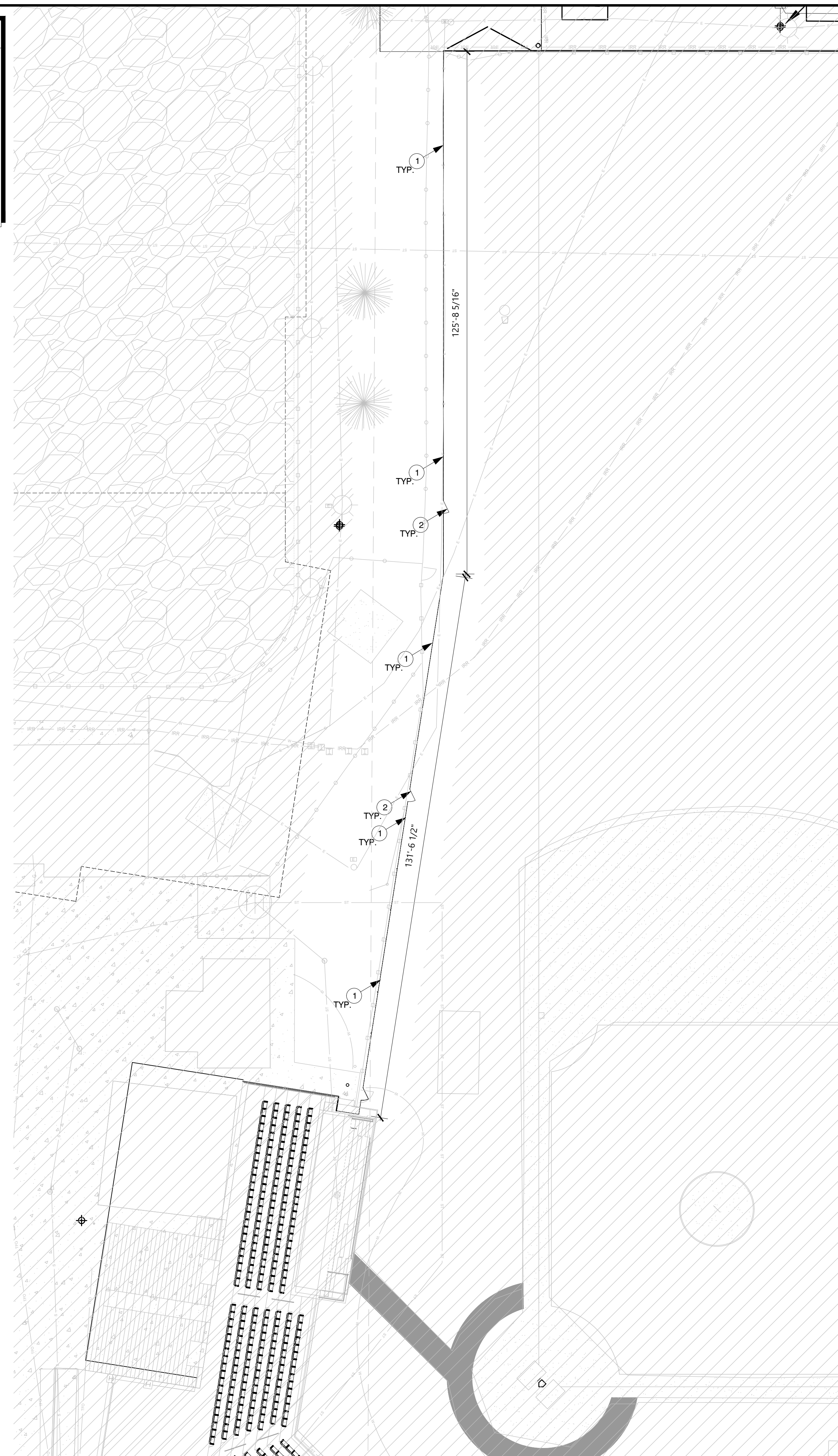
PROJECT LOCATION
SCALE: NTS



RENDERING
SCALE: NTS

- KEYNOTES:**
- 1 EXISTING STEEL NETTING SUPPORT POLE - NO WORK, POLE TO REMAIN
 - 2 NEW 3" BLACK - PAINTED STEEL NETTING SUPPORT POLE - 10' A.F.G. WITH U-SHAPE PAD VERTICALLY STARTING TOP OF COMPOSITE FENCE TO 10'-0" A.F.G. COLOR TBD
 - 3 BASE BID: 1-3/4" BASEBALL #36 BLACK NYLON KNOTLESS NETTING
ALTERNATE 1: 2" BLACK VINYL COATED CHAINLINK FENCE FABRIC
1-3/4" BASEBALL #36 BLACK NYLON KNOTLESS NETTING
 - 5 NEW 8" BLACK - PAINTED STEEL NETTING SUPPORT POLE - 25' A.F.G.
 - 6 MODIFIED EXISTING COMPOSITE BOARD FENCE - 3'-0" A.F.G.

- GENERAL NOTES:**
1. EXISTING COMPOSITE BOARD FENCE - REUSE OF EXISTING VERTICAL AND HORIZONTAL BOARDS.
 2. NEW NETTING ALONG COMPOSITE BOARD FENCE - STARTS 2'-6" A.F.G. TO 10'-0" A.F.G.
 3. CALL FOR UTILITY LOCATES AND COORDINATE LOCATING OWNER UTILITIES
 4. OWNER WILL REMOVE EXISTING SIGNS, BANNERS, PADS.



1
A100

3RD BASELINE DEMO PLAN

SCALE: 1/16" = 1'-0"

N
|
I

CONSULTANTS

CLIENT
BISMARCK PARKS & REC

PROJECT DESCRIPTION
MUNICIPAL BALLPARK
3RD BASE NETTING

CITY BISMARCK
STATE ND

ISSUE DATES

CD	CONSTRUCTION DOCUMENTS	6-1-2026
MARK	DESCRIPTION	DATE

PROJECT NO: 20263290

DRAWN BY: MS

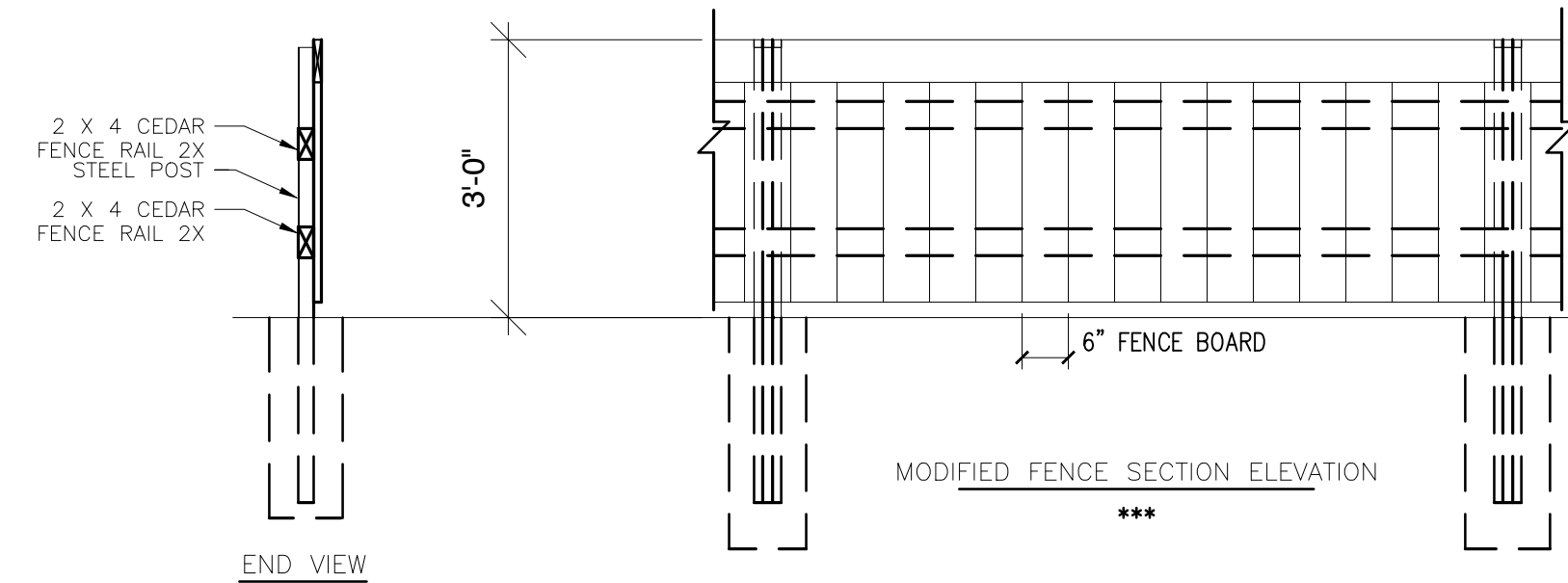
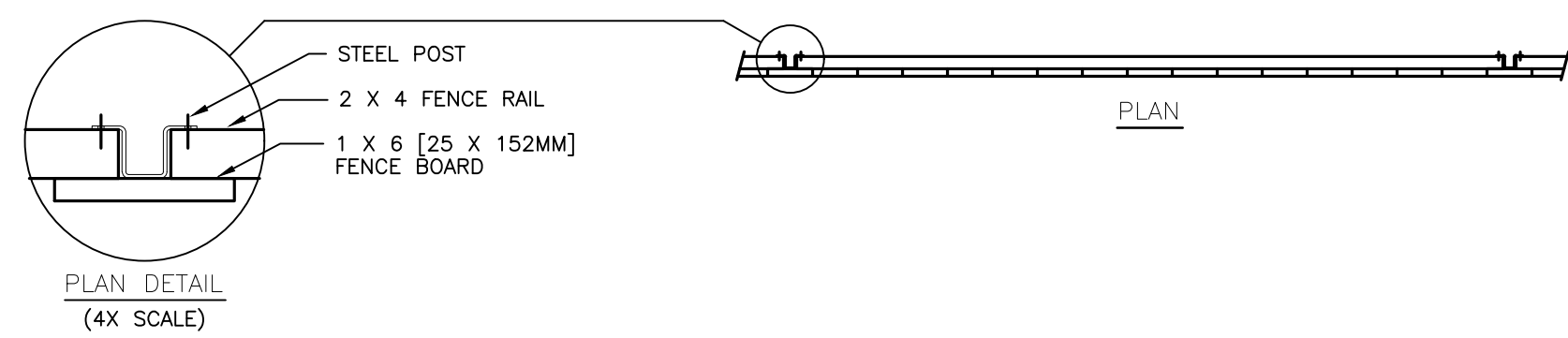
CHECKED BY: BD

COPYRIGHT:
All plans, specifications, computer files, field data, notes and other documents and instruments prepared by EAPC, EAPC as instruments of service shall remain the property of EAPC. EAPC shall retain all common law, statutory and other reserved rights, including the copyright thereto.

STAMP

DRAWING TITLE
DEMO SITEPLAN

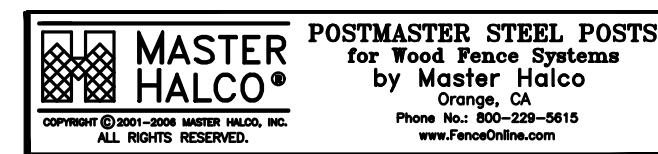
A100



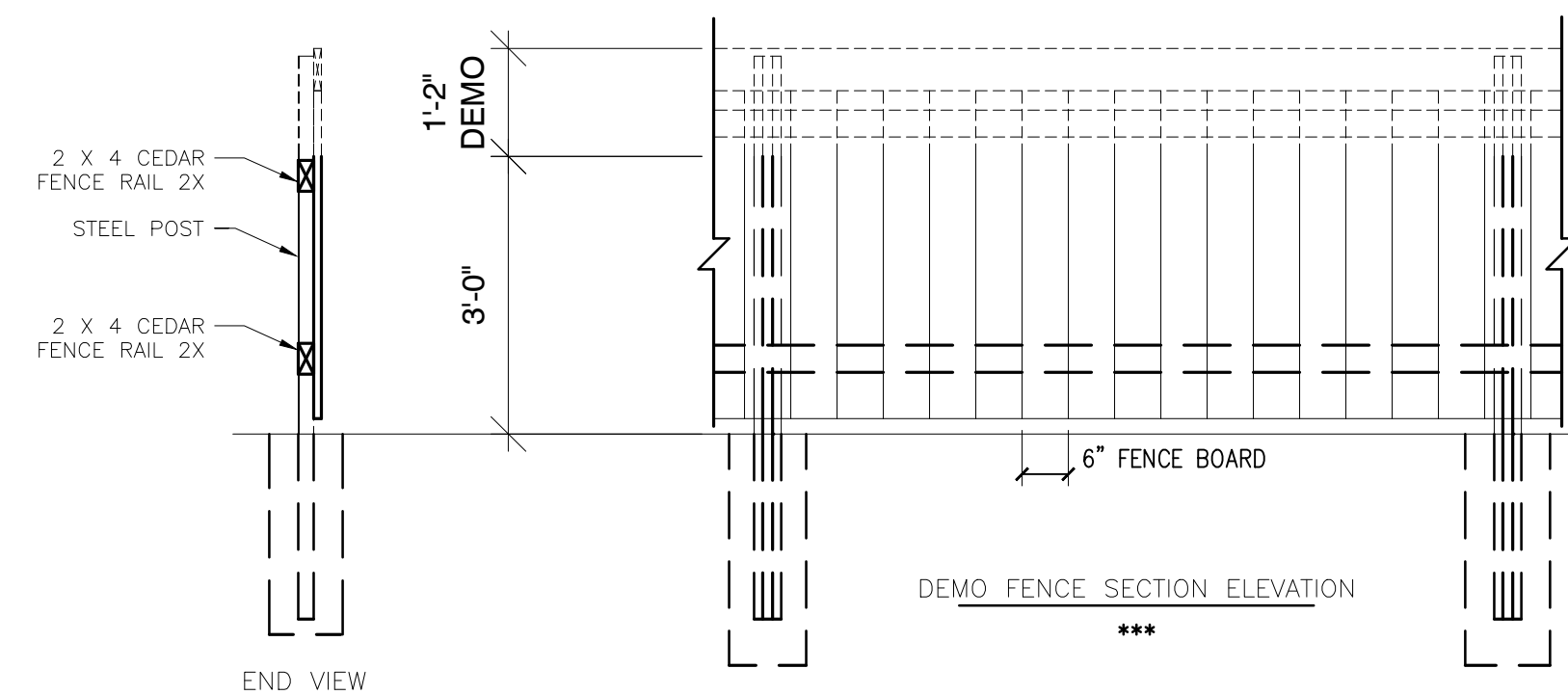
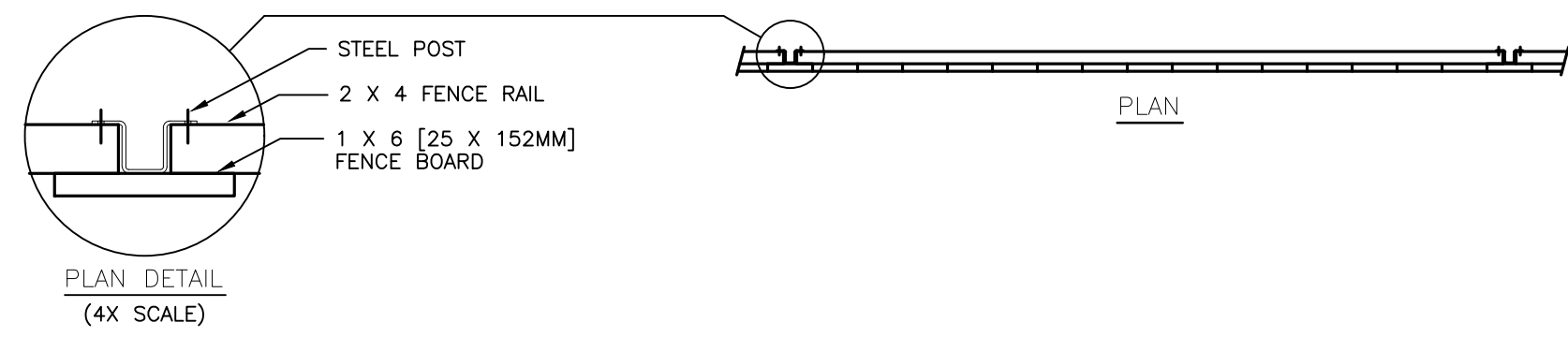
4' SOLID BOARD FENCE DETAIL
 STYLE: FLAT TOP
 NOM 4' FENCE HEIGHT
 1 X 6 FENCE BOARDS

FENCE BOARDS TO BE 1x6 RECYCLED PLASTIC LUMBER- GREEN
 HORIZ. ACCENT BOARD TO BE 1x6 RECYCLED PLASTIC LUMBER- YELLOW
 "BEAR BOARD" AS MANUFACTURED BY
 ENGINEERED PLASTIC SYSTEMS, LLC OR EQUAL
 885 DHURCH ROAD, ELGIN, IL 60123
 1-800-480-2327
 EPSPLASTICLUMBER.COM

FENCE RAIL TO BE 2x4 CEDAR - SELECT GRADE



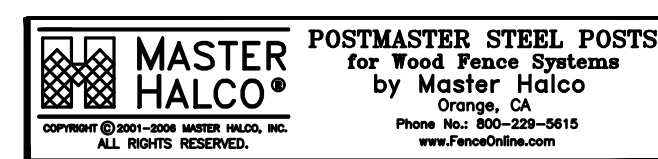
3 FENCE DETAIL
 SCALE: 1/2" = 1'-0"



4' SOLID BOARD FENCE DETAIL
 STYLE: FLAT TOP
 NOM 4' FENCE HEIGHT
 1 X 6 FENCE BOARDS

FENCE BOARDS TO BE 1x6 RECYCLED PLASTIC LUMBER- GREEN
 HORIZ. ACCENT BOARD TO BE 1x6 RECYCLED PLASTIC LUMBER- YELLOW
 "BEAR BOARD" AS MANUFACTURED BY
 ENGINEERED PLASTIC SYSTEMS, LLC OR EQUAL
 885 DHURCH ROAD, ELGIN, IL 60123
 1-800-480-2327
 EPSPLASTICLUMBER.COM

FENCE RAIL TO BE 2x4 CEDAR - SELECT GRADE



2 FENCE DETAIL
 SCALE: 1/2" = 1'-0"

KEYNOTES:

- 1 EXISTING COMPOSITE BOARD FENCE - MODIFIED HEIGHT
- 2 EXISTING PADDING, VINYL SIGNAGE, BANNERS - REINSTALL EXISTING
- 3 BASE BID: 1-3/4" BASEBALL #36 BLACK NYLON KNOTLESS NETTING
 ALTERNATE 1: 2" BLACK VINYL COATED CHAINLINK FENCE FABRIC
- 4 NEW 3" BLACK - PAINTED STEEL NETTING SUPPORT POLE - 10' A.F.G.
 WITH U-SHAPE PAD VERTICALLY STARTING TOP OF COMPOSITE FENCE TO 10'-0" A.F.G.
 COLOR TBD
- 5 1-3/4" BASEBALL #36 BLACK NYLON KNOTLESS NETTING
- 6 REMOVABLE NETTING CONNECTION, SEASONAL - CLIP SYSTEM BY MANUFACTURER
- 7 NEW 8" BLACK - PAINTED STEEL NETTING SUPPORT POLE - 25' A.F.G.
 DESIGN DETAILS FOR FOOTING PER MANUFACTURER

GENERAL NOTES:

1. FUTURE SEATING AND RAILINGS NOT PART OF CURRENT PROJECT
2. GROUND WILL REMAIN EXISTING GRASS TURF - FUTURE CONCRETE SURFACE



Architecture Engineering
 Interior Design Industrial
 TELE 701.258.3116 FAX 701.223.7983
 116 W. Main Ave., Suite A Bismarck, ND 58501
 www.eapc.net

CONSULTANTS

CLIENT
 BISMARCK PARKS &
 REC

PROJECT DESCRIPTION
 MUNICIPAL BALLPARK
 3RD BASE NETTING

CITY BISMARCK
 STATE ND

ISSUE DATES

CD	CONSTRUCTION DOCUMENTS	6-1-2026
MARK	DESCRIPTION	DATE

PROJECT NO: 20263290

DRAWN BY: MS

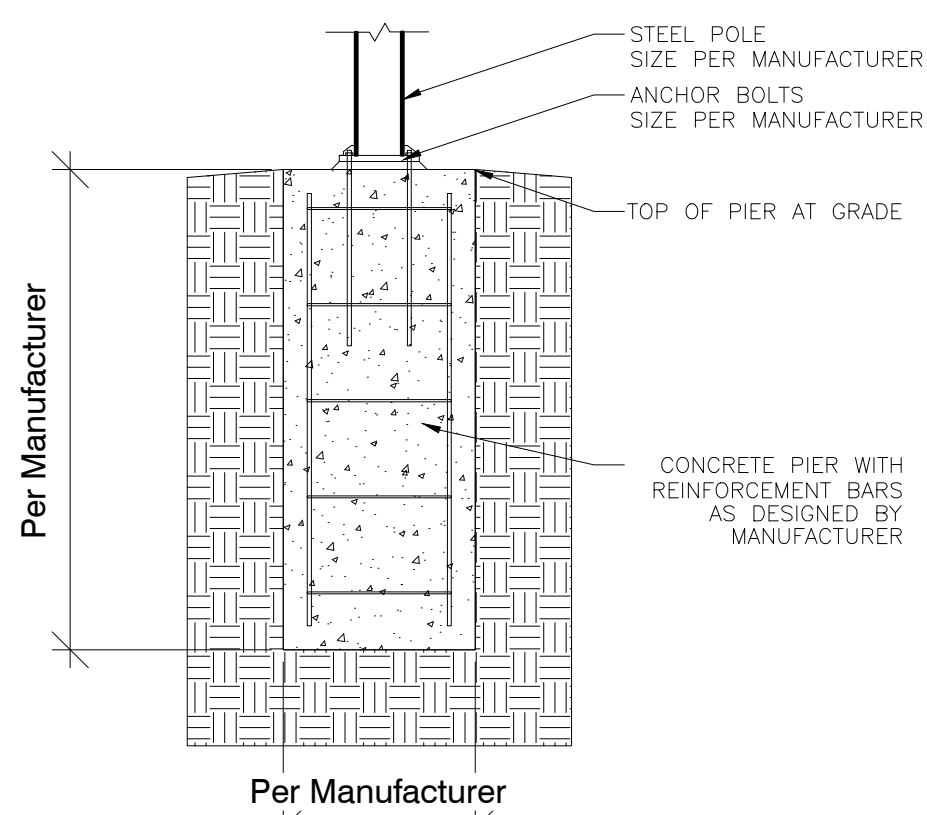
CHECKED BY: BD

COPYRIGHT:
 All plans, specifications, computer files, field data, notes and other documents and instruments prepared by EAPC as instruments of service shall remain the property of EAPC. EAPC shall retain all common law, statutory and other reserved rights, including the copyright therein.

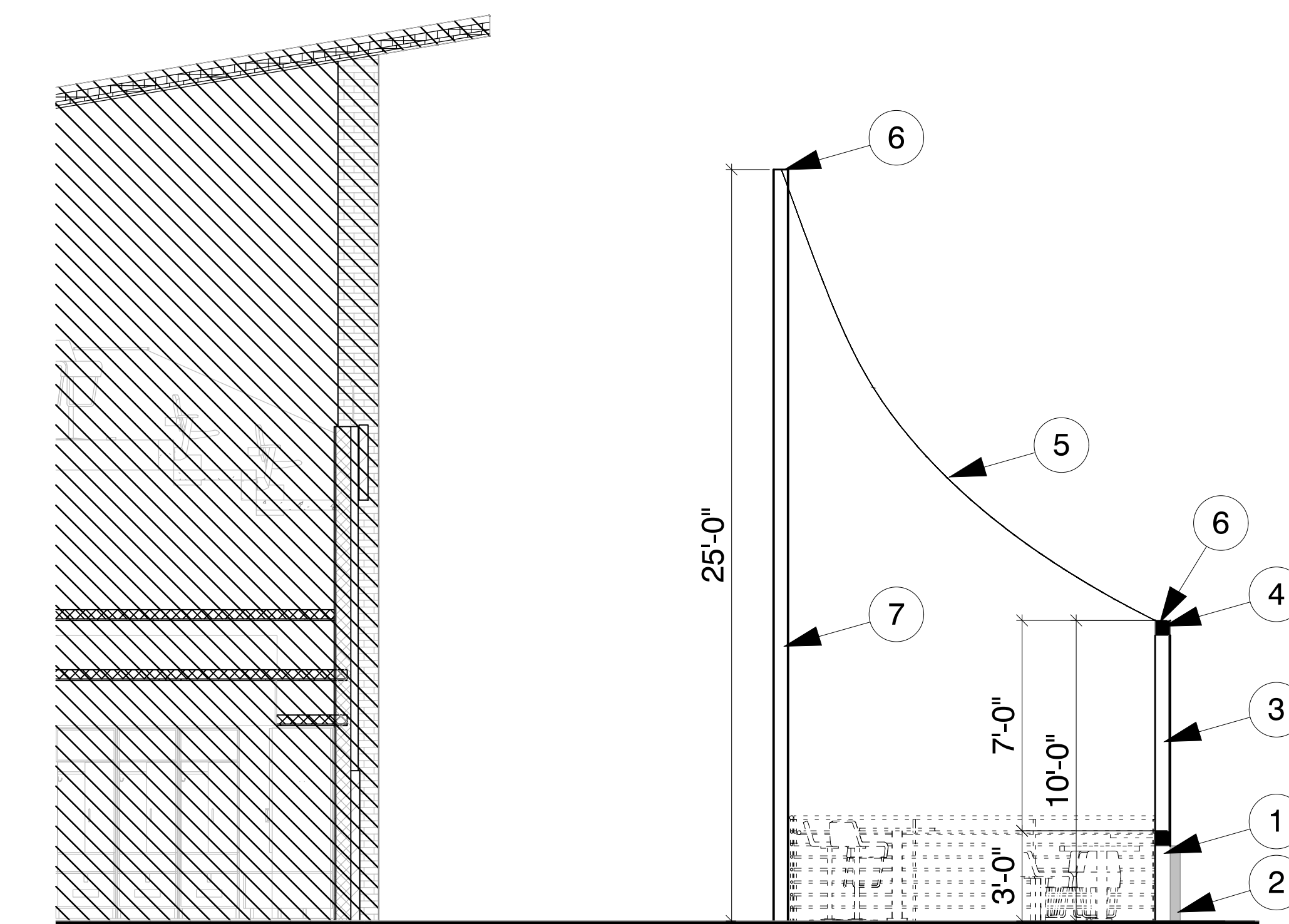
STAMP

DRAWING TITLE
 SECTION AND
 DETAILS

A102



4 STEEL POLE DETAIL
 SCALE: 1/2" = 1'-0"



1 SECTION
 SCALE: 1/4" = 1'-0"